



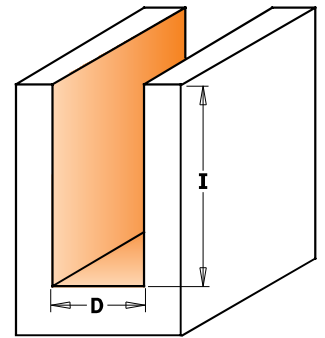
7/8/912

SAFETY PRECAUTIONS: never use damaged or worn bits. Always work at the recommended proper feed rate without forcing the bit. Pay particular attention when making the initial cut with a small diameter bit. For best results when working with small diameter bits, make the cut in more than one pass.

The sharpened cutting edge is perfect for short plunging operations



Masterpack



Drawing is 1:1 scale

• HWM

D mm	I mm	L mm		ORDER NO. S=Ø6mm	ORDER NO. S=Ø6,35mm	ORDER NO. S=Ø8mm	ORDER NO. S=Ø10mm	ORDER NO. S=Ø12mm	ORDER NO. S=Ø12,7mm
• 3	11	60	10	712.030.11					
• 3,2	12,7	50,8	10		812.032.11				
• 4	12	60	10	712.040.11					
• 5	18	60	10	712.050.11					
• 6	25,4	60	10	712.060.11	812.060.11	912.060.11			
• 6,35	25,4	60	10		812.064.11				
• 8	31,7	60	10	712.080.11	812.080.11	912.080.11			
• 8	31,7	75	10					912.580.11	
9	31,7	75	10					912.590.11	
9,5	31,7	63,5	10		812.095.11				
9,5	31,7	73	10						812.595.11
10	31,7	60	10	712.100.11	812.100.11	912.100.11			
10	31,7	70	10						812.600.11
10	31,7	74	10					912.600.11	
11,1	31,7	82,5	10						812.611.11
12	31,7	60	10	712.120.11	812.120.11	912.120.11			
12	31,7	70	10						812.620.11
12	38,1	95	10					912.621.11	812.621.11
12	50,8	108	10					912.622.11	
12,7	31,7	70	10		812.127.11	912.127.11			
12,7	38,1	95	10						812.627.11
12,7	50,8	108	10						812.628.11
12,7	63,5	111	10						812.629.11
14	31,7	60	10	712.140.11	812.140.11	912.140.11			
14	31,7	70	10					912.640.11	
15	31,7	66	10	712.150.11	812.150.11	912.150.11			
15	31,7	70	10					912.650.11	
15,8	31,7	70	10		812.158.11				
16	31,7	66	10	712.160.11	812.160.11	912.160.11			
16	31,7	70	10					912.660.11	812.660.11
18	38,1	80	10					912.681.11	
19	38,1	82,5	10					912.690.11	812.690.11
19	50,8	92	10					912.691.11	812.691.11
20	38,1	80	10					912.701.11	
22	38,1	80	10					912.721.11	
10 pc. masterpack									
6,35	25,4	60			812.064.11-X10				
12,7	50,8	108							812.628.11-X10
For Industrial Nesting Application [Z3] - DLCS Chrome Long-Life Coating									
new • 6	21	73	10					912.561.11	
new • 6	26	73	10					912.560.11	
new • 6,35	26	73	10						812.564.11
new • 8	21	73	10					912.582.11	
new • 8	28,7	76	10					912.581.11	812.581.11
new • 8	32	76	10					912.583.11	
new • 10	21	75	10				912.610.11		
new • 10	32	75	10				912.611.11		