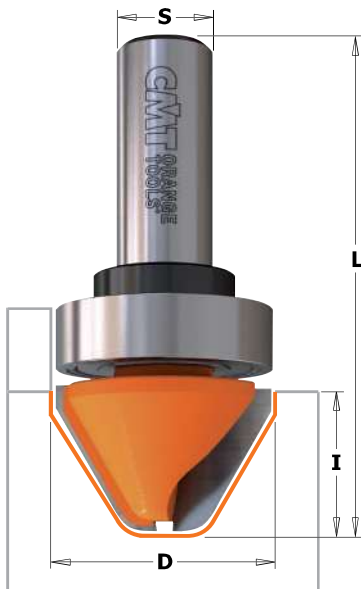
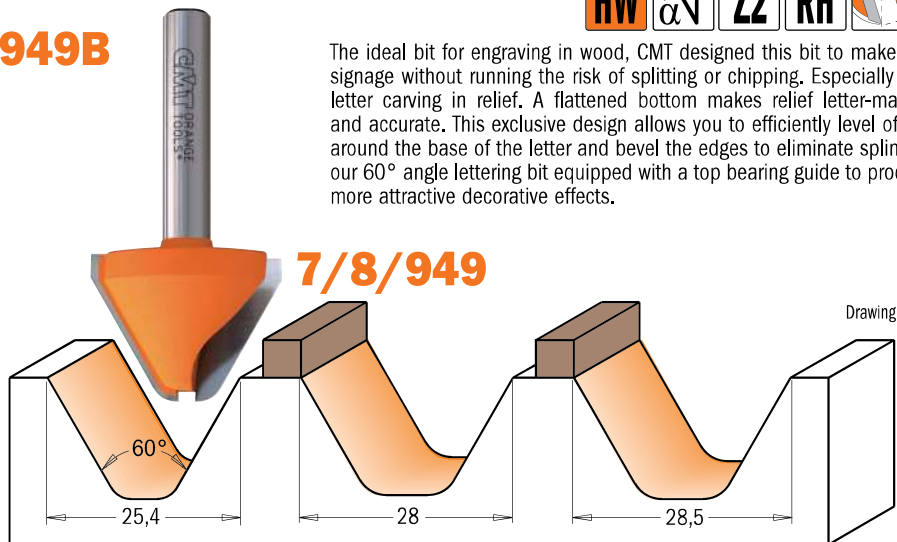


60° Lettering Bit



8/949B



7/8/949

Drawing is 1:1 scale

The ideal bit for engraving in wood, CMT designed this bit to make attractive signage without running the risk of splitting or chipping. Especially useful for letter carving in relief. A flattened bottom makes relief letter-making easy and accurate. This exclusive design allows you to efficiently level off the area around the base of the letter and bevel the edges to eliminate splintering. Try our 60° angle lettering bit equipped with a top bearing guide to produce even more attractive decorative effects.

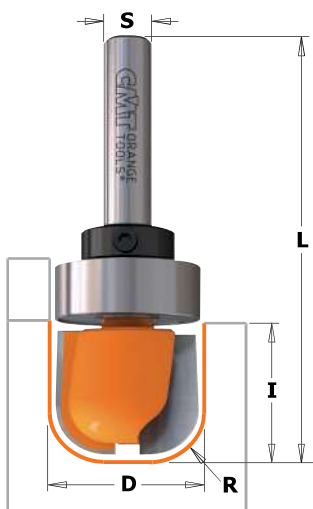


D mm	I mm	A	L mm		ORDER NO. S=Ø6mm	ORDER NO. S=Ø6,35mm	ORDER NO. S=Ø12mm	ORDER NO. S=Ø12,7mm
25,4	19	60°	50,8	10	749.001.11	849.001.11		
28	19	60°	63,5	10			949.502.11	
28,5	19	60°	63,5	10				849.501.11
With top bearing								
28	19	60°	63,5	10			949.502.11B	
28,5	19	60°	63,5	10				849.501.11B

Spare parts		
791.026.00	541.005.00	991.056.00
791.027.00	541.002.00	991.056.00

Spare parts: 990.005.00 M3x3mm STEI screw

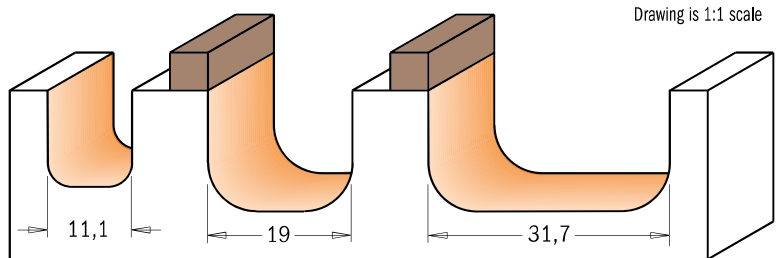
Bowl & Tray Bits



7/8/951B



7/8/951



Drawing is 1:1 scale

This CMT bit is ideal for making bowls, trays, boxes, cutting boards or any other specialty or craft item. The round corner of the bit shapes the inner radius while the sides and bottom create the smooth flat surfaces. We recommend using a top bearing for accurate and easy pattern work.

TIPS: use these bits on a table router with bearing guide for decorative edgework.



D mm	I mm	R mm	L mm		ORDER NO. S=Ø6mm	ORDER NO. S=Ø6,35mm	ORDER NO. S=Ø8mm	ORDER NO. S=Ø12mm	ORDER NO. S=Ø12,7mm
11,1	12,7	3,2	45,5	10		851.001.11			
19	16	6,4	54	10	751.002.11	851.002.11	951.002.11		
19	16	6,4	60,4	10				951.501.11	851.501.11
31,7	16	6,4	60,4	10				951.502.11	851.502.11
With top bearing									
19	16	6,4	54	10	751.002.11B				
19	16	6,4	54	10		851.002.11B			
19	16	6,4	60,4	10					851.501.11B
31,7	16	6,4	60,4	10				951.502.11B	851.502.11B

Spare parts		
791.007.00	541.003.00	991.056.00
791.004.00	541.001.00	991.056.00
791.011.00	541.002.00	991.056.00
791.015.00	541.002.00	991.056.00

Spare parts: 990.005.00 M3x3mm STEI screw