

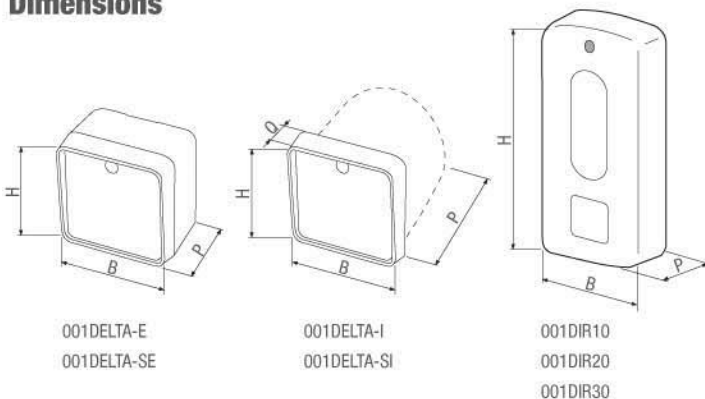
Photocells

Safety devices for gates and doors in movement



- Controlling of the gate movement areas.
- Infrared beam, even synchronised, to fend off possible external signal disturbances.
- For the Dir series photocells a double height post is available for installations on passage ways where heavy vehicles transit.
- Today Came offers its Delta series infrared beam and Delta S synchronised beam photocells: one design for surface and flush-mounted applications.
- High-grade of protection from environmental agents.

Dimensions



Dimensions (mm/in)

MODEL	MOUNTING	B	H	P	Q
DELTA - E	SURFACE-MOUNTED	70/2.75	70/2.75	36/1.41	-
DELTA - SE	SURFACE-MOUNTED	70/2.75	70/2.75	36/1.41	-
DELTA - I	FLUSH-MOUNTED	70/2.75	70/2.75	52/2.04	16/0.62
DELTA - SI	FLUSH-MOUNTED	70/2.75	70/2.75	52/2.04	16/0.62
DIR10 - DIR20 - DIR30	SURFACE-MOUNTED	46/ 1.81	108/4.25	23/0.9	-

● 12 - 24 V AC - DC

Limits to use

MODEL	DELTA-E - DELTA-I	DELTA-SE - DELTA-SI	DIR10	DIR20	DIR30
Max range (m/ft)	20/65.61	20/65.61	10 /32.8	20/65.62	30/98.42

● 12 - 24 V AC - DC

Technical features

Type	DELTA-E - DELTA-I	DELTA-SE - DELTA-SI	DIR10 - DIR20 - DIR30
Protection rating IP	IP54	IP54	IP54
Power supply (V)	12 - 24 AC - DC	12 - 24 AC - DC	12 - 24 AC - DC
24 V relays output (mA)	500	500	1000
24 V AC current draw (mA)	110	70	60
Operating temperature (°C/°F)	-20 ÷ +55/-4 ÷ +131°C/°F	-20 ÷ +55/-4 ÷ +131°C/°F	-20 ÷ +55/-4 ÷ +131°C/°F
Material	ABS - POLYCARBONATE	ABS - POLYCARBONATE	ABS - POLYCARBONATE

● 12 - 24 V AC - DC

The complete range



Code	Description
Delta series infrared beam photocells	
001 DELTA-I	Pair of flush-mounted photocells complete with casing. Range: 20 m / 65.62 ft.
001 DELTA-E	Pair of surface-mounted photocells. Range: 20 m / 65.62 ft.
Dir series photocells with synchronised infrared beam	
001 DIR10	Pair of photocells. Range: 10 m / 32.8 ft.
001 DIR20	Pair of photocells. Range: 20 m / 65.62 ft.
001 DIR30	Pair of photocells. Range: 30 m / 98.42 ft.
Delta S series photocells with synchronised infrared beam	
001 DELTA-SI	Pair of flush-mounted photocells complete with casing. Range: 20 m / 65.62 ft.
001 DELTA-SE	Pair of surface-mounted photocells. Range: 20 m / 65.62 ft.
Accessories for: 001DELTA-I - 001DELTA-SI	
009 DOC-S	Flush-mounted casing.
001 DOC-L	Natural anodised aluminium post. H = 500 mm / 1.64 ft.
001 DOC-LN	Black anodised aluminium post. H = 500 mm / 1.64 ft.
Accessories for: 001DELTA-E - 001DELTA-SE	
001 DOC-R	Steel support for pillar surface mounting.
Accessories for: 001DIR10 - 001DIR20 - 001DIR30	
001 DIRZ	Aluminium alloy impact-proof protection.
001 DIR-S	Flush-mounted casing.
001 DIR-L	Natural anodised aluminium post. H = 500 mm / 1.64 ft.
001 DIR-LN	Black anodised aluminium post. H = 500 mm / 1.64 ft.
Accessories for: 001DIR-L e 001DIR-LN	
001 DIR-P	Natural anodised aluminium extension H = 500 mm / 1.64 ft post. To apply with double pair of photocells.
001 DIR-PN	Black anodised aluminium extension H = 500 mm / 1.64 ft post. To apply with double pair of photocells.



NOTE:
001DELTA-I - 001DELTA-E Max number of pairs of photocells on a single installation: 4.